

Material : HDPE, PP

Mfg. Process	EBM	Case Pack	173 Pcs.
Height (OH)	8.580" (218mm)	Case Dimension	24" x 16" x 24"
Diameter (OD)	2.476" (63mm)	Case Weight	28 Lb (13 Kg)
Overflow	18.46 ± .4 fl. oz. (546 ± 13ml)	Pallet Pack	20 Boxes
Gram Weight	33 ± 2 gr.	Pallet Dimension	48" x 40" x 103"
Neck Finish	24 / 415	Pallet Weight	460 Lb (209 Kg)
Max. Print Area (Height)	5.975" (152mm)	Pallet / 53' TL	27 Pallets
Max. Print Area (Width)	7.529" (191mm)	Freight Class	150

17oz 24/415
Plastique
Round Bottle

Part # : 17P25

Dwg. #

PLA-S-122

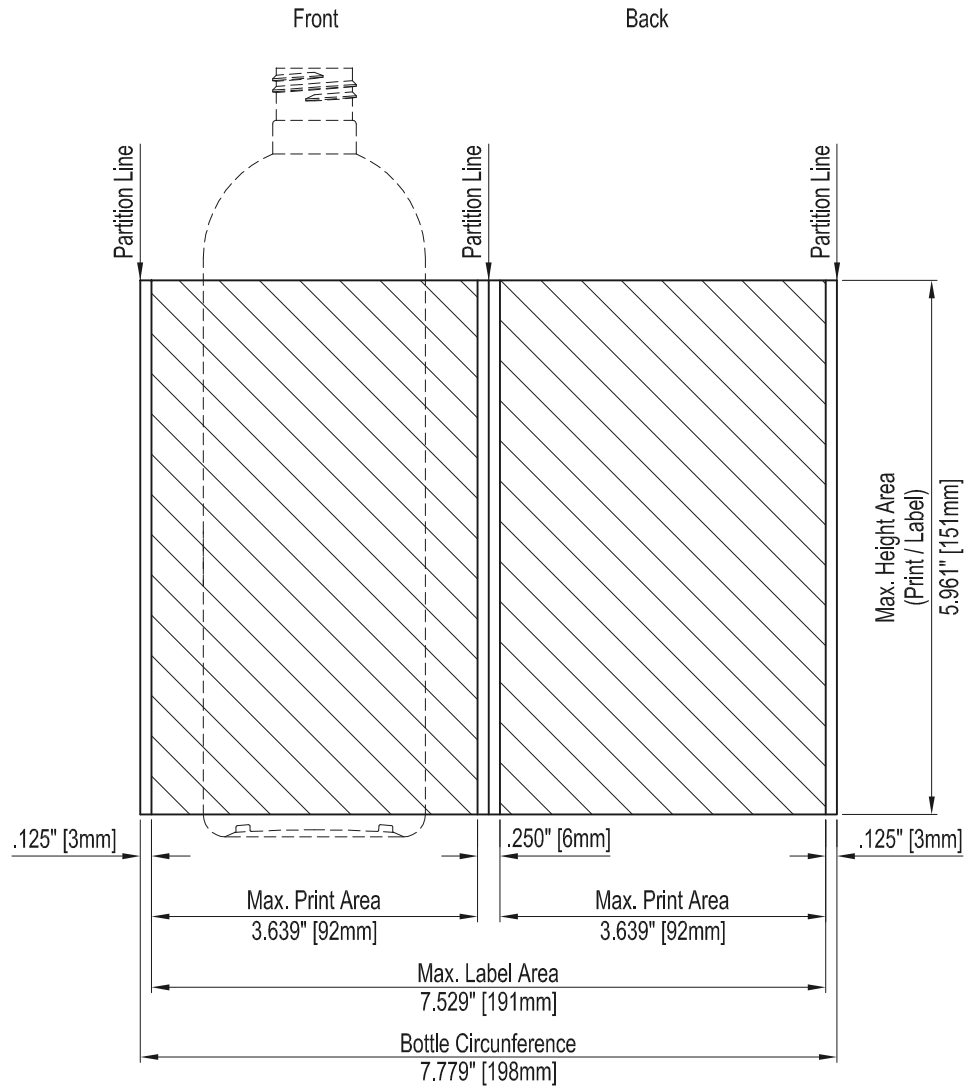
Rev.

A



Ph. (909) 930-6100
info@plastirey.com
www.plastirey.com

No portion of this drawing may be reproduced without express written permission of Plastirey Containers. Specifications subject to change without notice.



 Art Work Area

17oz 24/415
Plastique
Round Bottle



Part # : 17P25

Ph. (909) 930-6100
info@plastirey.com
www.plastirey.com

Dwg. #

PLA-D-122

Rev.

A