

Material : PP

Mfg. Process	IM	Case Pack	432 Pcs.
Height (OH)	1.960" (50mm)	Case Dimension	27" x 15" x 13"
Diameter (OD)	2.340" (59mm)	Case Weight	21 Lb (10 Kg)
Overflow	2.67 ± .1 oz. (79 ± 3ml)	Pallet Pack	40 Boxes
Gram Weight	21.1 ± 0.5 gr.	Pallet Dimension	54" x 45" x 80"
Neck Finish	58 / 400	Pallet Weight	870 Lb (395 Kg)
Max. Print Area (Height)	.924" (23.5mm)	Pallet / 53' TL	27 Pallets
Max. Print Area (Width)	7.101" (180.4mm)	Freight Class	125

2oz 58/400 Double Wall Jar (Round Base)

Part # :J0258

Dwg. #

PLA-S-545

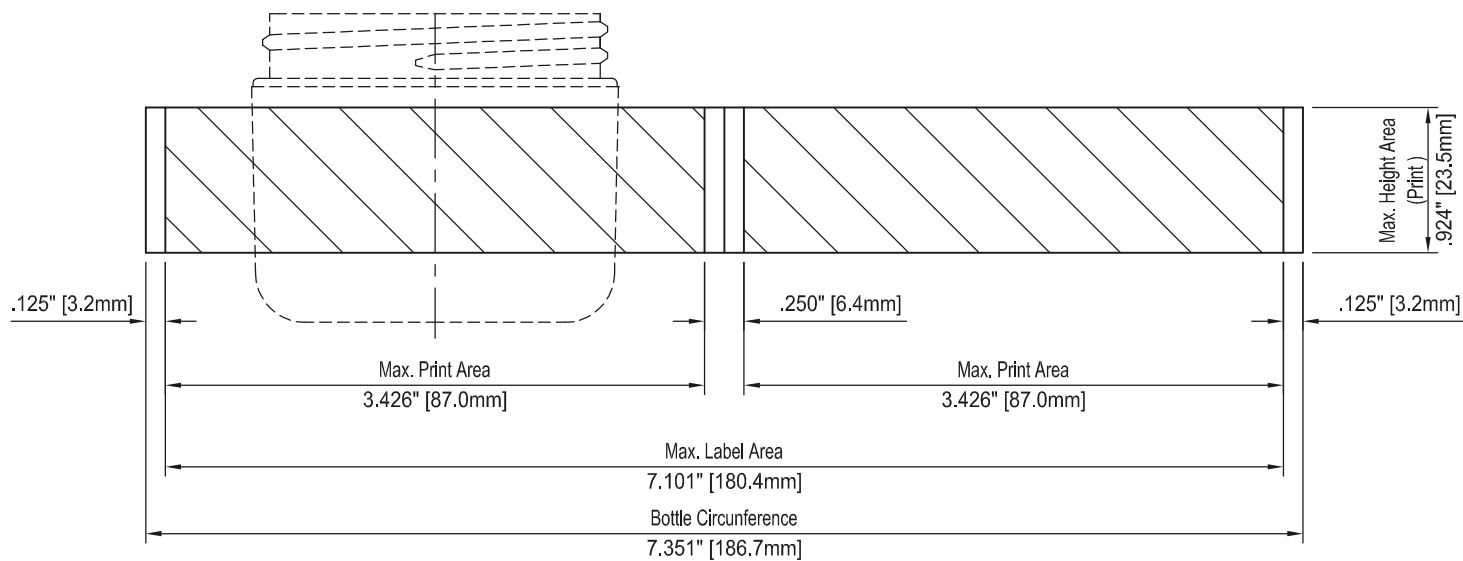
Rev.

A



Ph. (909) 930-6100
 info@plastirey.com
 www.plastirey.com

No portion of this drawing may be reproduced without express written permission of Plastirey Containers. Specifications subject to change without notice.



 Art Work Area

2oz 58/400 Double
Wall Jar Round Base
Silk Screen Decoration
Layout



Part # :J0258

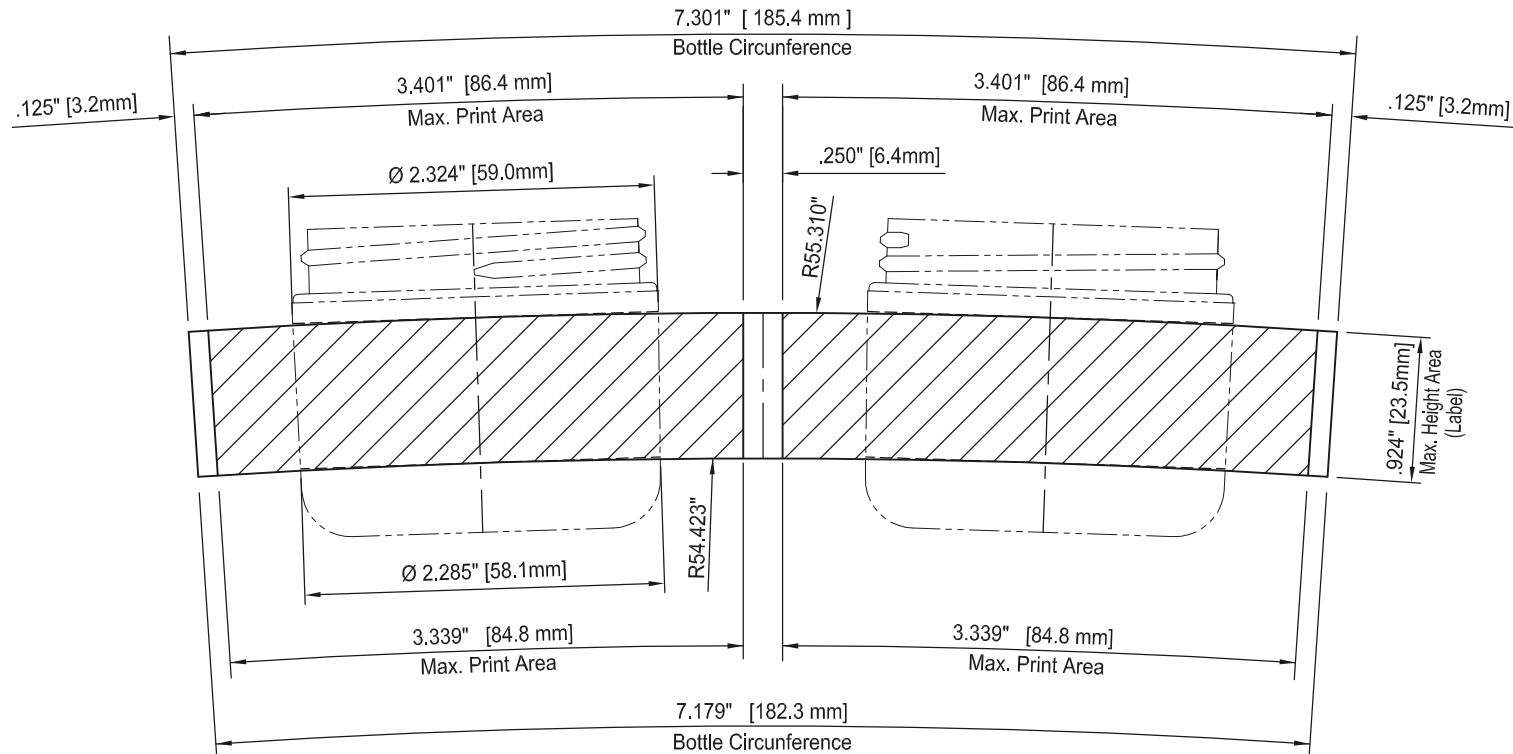
Ph. (909) 930-6100
info@plastirey.com
www.plastirey.com

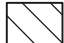
Dwg. #

PLA-D-545

Rev.

A



 Art Work Area

2oz 58/400 Double
Wall Jar Round Base
Label Layout



Part # :J0258

Ph. (909) 930-6100

Dwg. #

PLA-D1-545

Rev.

A

info@plastirey.com

www.plastirey.com