

Material : HDPE

Mfg. Process	EBM	Case Pack	337 Pcs
Height (OH)	7.352" (187 mm)	Case Dimension	27" x 18" x 24"
Diameter (OD)	2.237" (57 mm)	Case Weight	22 Lb (10 Kg)
Overflow	12.41 ± .3 Oz (367 ± 9 ml)	Pallet Pack	20 Boxes
Gram Weight	28 ± 2 gr	Pallet Dimension	54" x 45" x 102"
Neck Finish	24 / 415	Pallet Weight	450 Lb (204 Kg)
Max. Print Area (Height)	4.888" (124 mm)	Pallet / 53' TL	23 Pallets
Max. Print Area (Width)	6.778" (172 mm)	Freight Class	250

12 oz. 24/415
Plastique Round
Bottle (EBM)

Part # : 12Q25

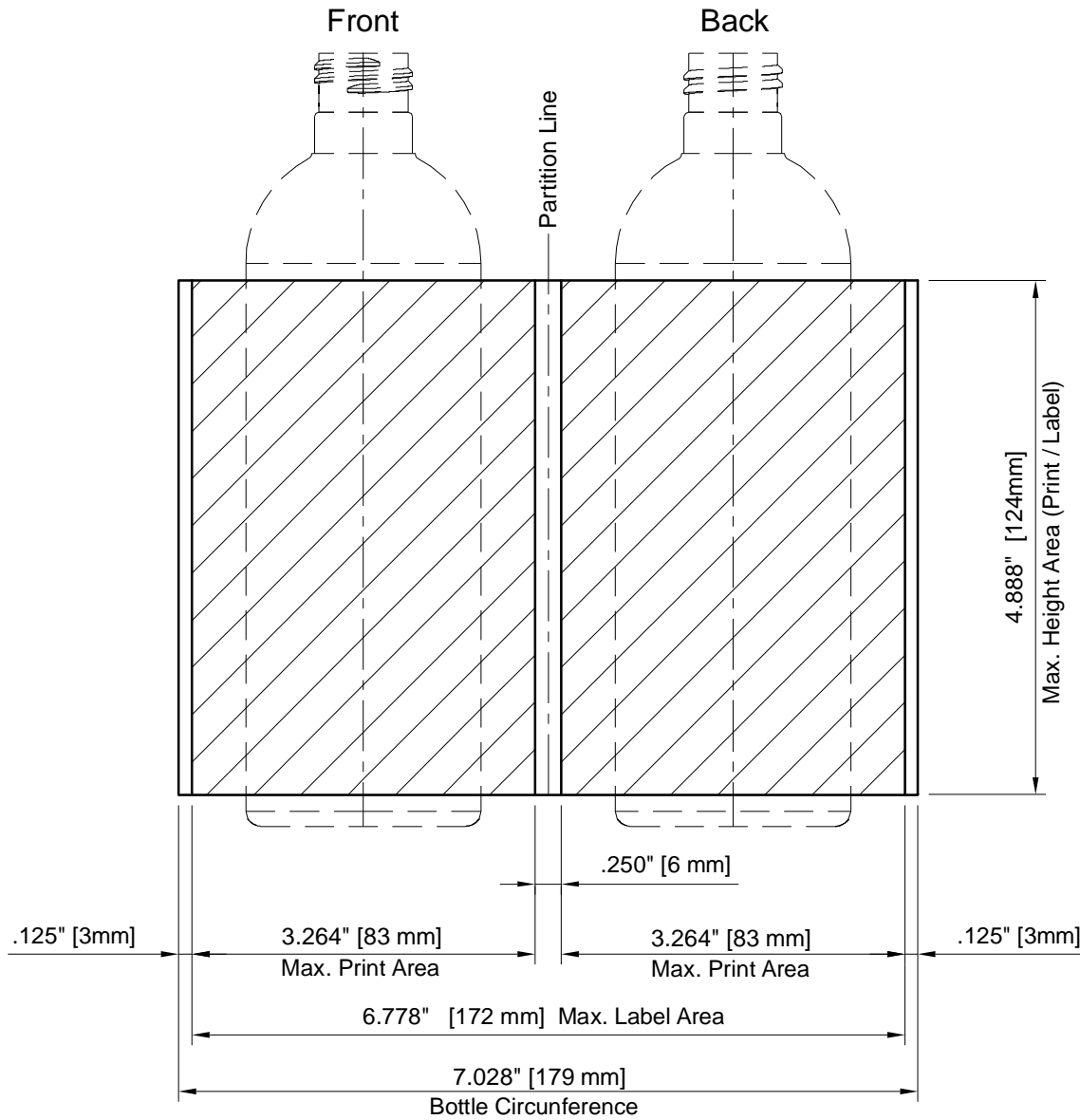
Dwg. # PLA-S-665


Rev. A




Ph. (909) 930-6100
info@plastirey.com
www.plastirey.com

No portion of this drawing may be reproduced without express written permission of Plastirey Containers. Specifications subject to change without notice.



 Art Work Area

12 oz. 24/415 Plastique Round Bottle (EBM)		 Ph. (909) 930-6100 info@plastirey.com www.plastirey.com
Part # : 12Q25		
Dwg. # PLA-D-665	Rev. A	