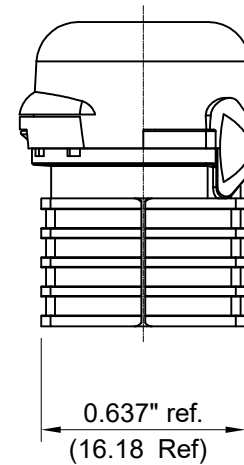
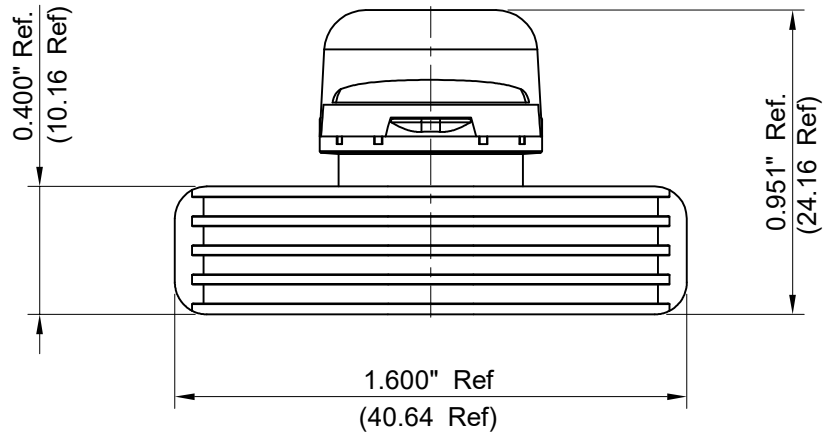
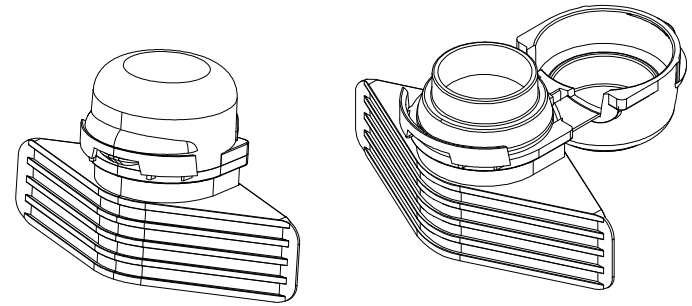
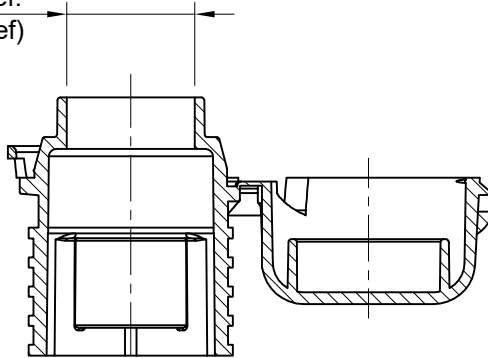


Ø 0.400" Ref.
(Ø 10.16 Ref)



Material : PE

| | | | |
|--------------------------|-------------------|------------------|-----------------------|
| Mfg. Process | IM | Case Pack | 3,900 Pcs |
| Height (OH) | 0.951" (24.16 mm) | Case Dimension | 23.7" x 13.0" x 11.0" |
| Diameter (OD) | 1.600" (40.64 mm) | Case Weight | 22.5 Lb (10.2 Kg) |
| Overflow | N/A | Pallet Pack | 30 Boxes |
| Gram Weight | 2.34 ± 0.2 gr | Pallet Dimension | 40" x 48" x 60" |
| Neck Finish | N/A | Pallet Weight | 696 Lb (316 Kg) |
| Max. Print Area (Height) | N/A | Pallet / 53' TL | 27 Pallets |
| Max. Print Area (Width) | N/A | Freight Class | 92.5 |

Boni™ 1
Pouch Fitment

Part # : U4201

Dwg. #

PLA-S-692

Rev.

A



Ph. (909) 930-6100
info@plastirey.com
www.plastirey.com

No portion of this drawing may be reproduced without express written permission of Plastirey Containers. Specifications subject to change without notice.