

Material : HDPE

Mfg. Process	EBM	Case Pack	415 Pcs
Height (OH)	6.154" (156.31 mm)	Case Dimension	23.8" x 15.6" x 24.4"
Diameter (OD)	2.428" (61.67 mm)	Case Weight	20.5 Lb (9.3 Kg)
Overflow	6.73 ± .20 Oz (199 ± 6 ml)	Pallet Pack	20 Boxes
Gram Weight	19.4 ± 1.5 gr	Pallet Dimension	40" x 48" x 101"
Neck Finish	24 / 415	Pallet Weight	432 Lb (196 Kg)
Max. Print Area (Height)	4.287" (108.88 mm)	Pallet / 53' TL	27 Pallets
Max. Print Area (Width)	1.847" (46.91 mm)	Freight Class	250

6oz Straight Oval  
Bottle 24/415

Part # : 06G25

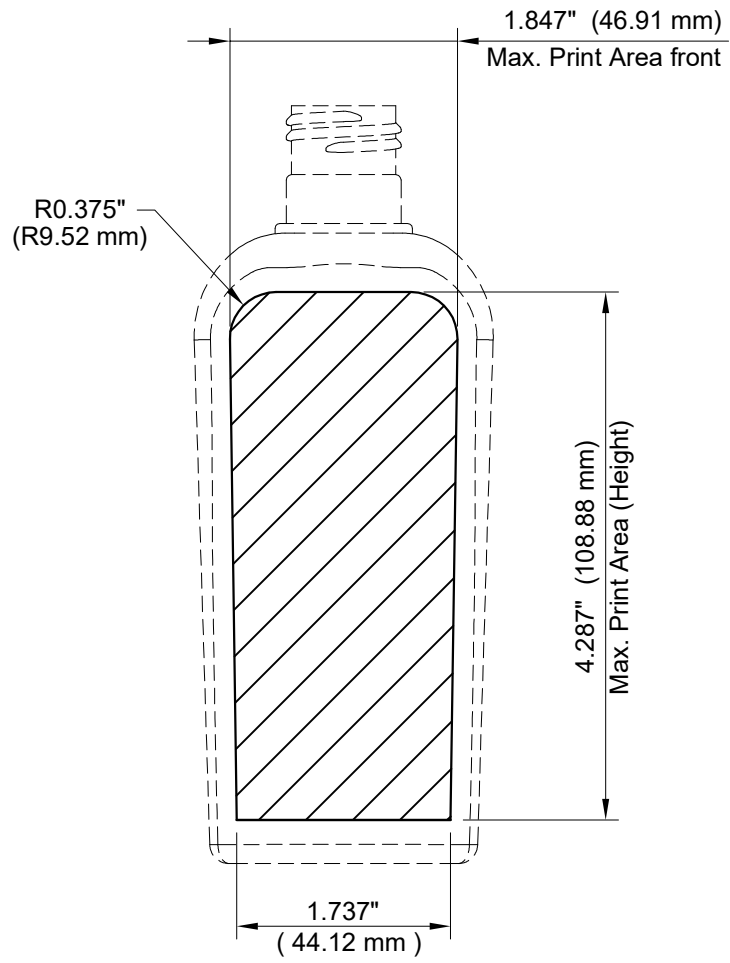
Dwg. # PLA-S-723

Rev. A

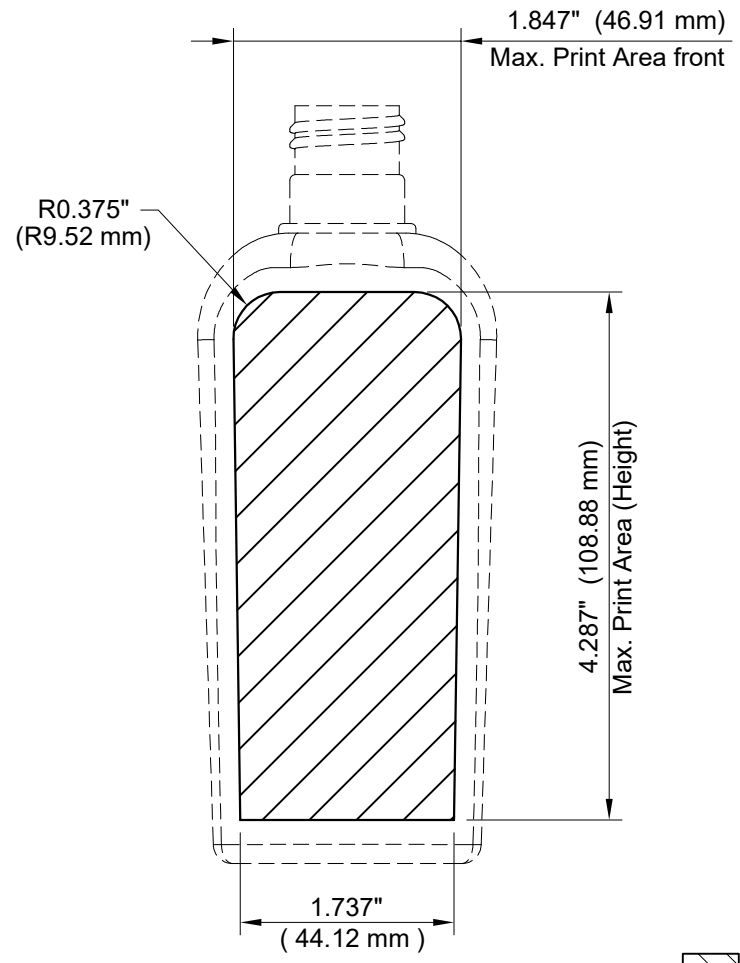


Ph. (909) 930-6100  
info@plastirey.com  
www.plastirey.com

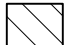
No portion of this drawing may be reproduced without express written permission of Plastirey Containers. Specifications subject to change without notice.




Front View



Back View

 Art Work Area

6oz Straight Oval Bottle 24/415		
Part # : 06G25		
Dwg. # PLA-D-723	Rev. A	Ph. (909) 930-6100 info@plastirey.com www.plastirey.com