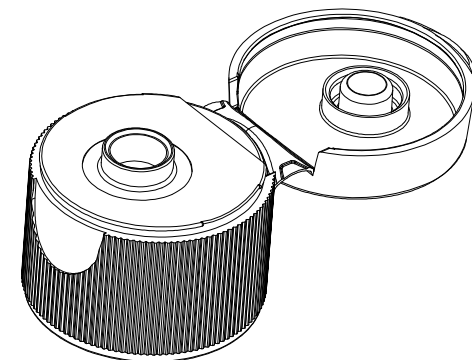
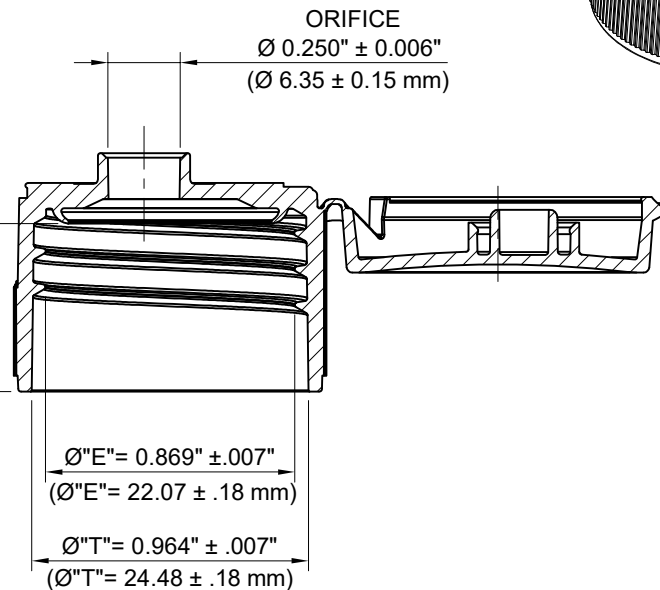


"H" = 0.585" ± 0.015"  
 ("H" = 14.86 ± 0.38 mm)



Material : PP

Mfg. Process	IM	Case Pack	2,200 Pcs.
Height (OH)	0.938" (23.83 mm)	Case Dimension	23.7" x 13.0" x 11.0"
Diameter (OD)	1.058" (26.87 mm)	Case Weight	18.7 Lb ( 8.5 Kg)
Overflow	N/A	Pallet Pack	42 Boxes
Gram Weight	4.0 ± 0.5 gr.	Pallet Dimension	40" x 48" x 82"
Neck Finish	24/410	Pallet Weight	809 Lb (367 Kg)
Max. Print Area (Height)	N/A	Pallet / 53' TL	27 Pallets
Max. Print Area (Width)	N/A	Freight Class	100

**24/410 Fine Ribbed  
 Fliptop Cap  
 (6 mm orifice)**

**Part # : U2338**

Dwg. #

**PLA-S-728**

Rev.

**A**



Ph. (909) 930-6100  
 info@plastirey.com  
 www.plastirey.com

No portion of this drawing may be reproduced without express written permission of Plastirey Containers. Specifications subject to change without notice.