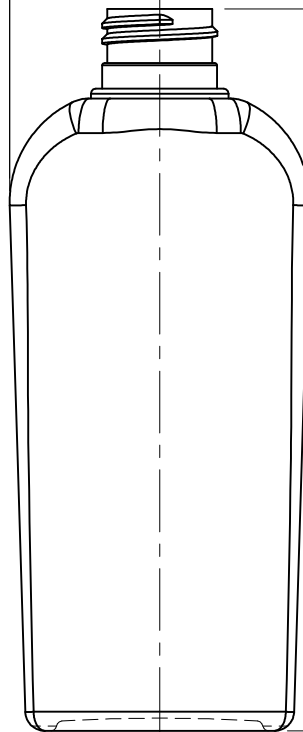
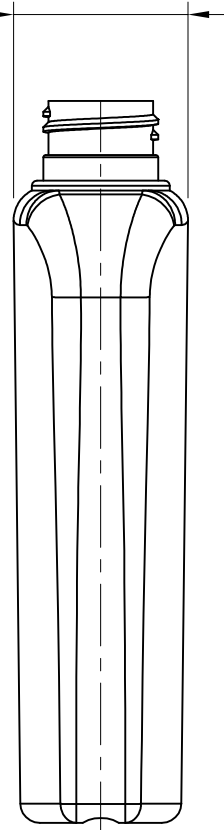


"OD" = 2.428" ± .050"
("OD" = 61.67 ± 1.27 mm)



"OH" = 5.843" ± 0.050"
("OH" = 148.41 ± 1.27 mm)

1.411" ± 0.050"
(35.85 ± 1.27 mm)

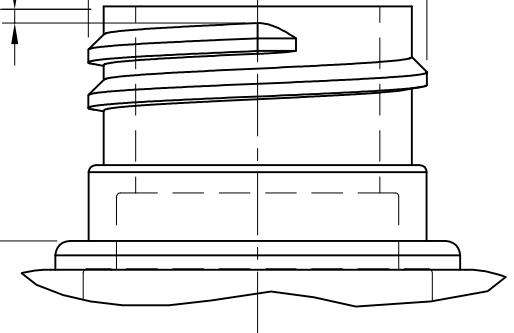


"H" = 0.646" ± 0.015"
("H" = 16.41 ± 0.38 mm)
"S" = 0.046" ± .015"
("S" = 1.17 ± 0.38 mm)

Ø"T" = 0.932" ± .008"
(Ø"T" = 23.67 ± 0.20 mm)

Ø"E" = 0.848" ± .008"
(Ø"E" = 21.54 ± 0.20 mm)

Ø"I" = 0.516" MIN.
(Ø"I" = 13.11 mm) MIN.



NECK DETAIL

Material : HDPE

Mfg. Process	EBM	Case Pack	448 Pcs
Height (OH)	5.843" (148.41 mm)	Case Dimension	23.8" x 15.6" x 24.4"
Diameter (OD)	2.428" (61.67 mm)	Case Weight	21.2 Lb (9.6 Kg)
Overflow	6.67 ± .20 Oz (197 ± 6 ml)	Pallet Pack	20 Boxes
Gram Weight	19.4 ± 1.5 gr	Pallet Dimension	40" x 48" x 101"
Neck Finish	24 / 410	Pallet Weight	450 Lb (204 Kg)
Max. Print Area (Height)	4.287" (108.88 mm)	Pallet / 53' TL	27 Pallets
Max. Print Area (Width)	1.847" (46.91 mm)	Freight Class	250

6oz Straight Oval
Bottle 24/410

Part # : 06G24

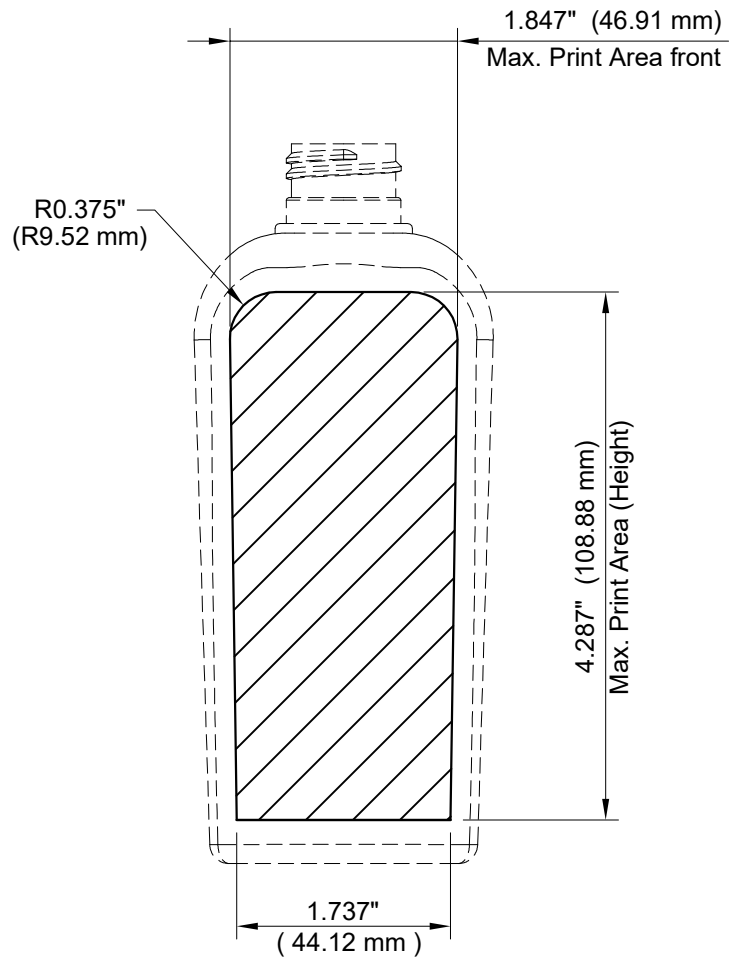
Dwg. # PLA-S-722

Rev. A

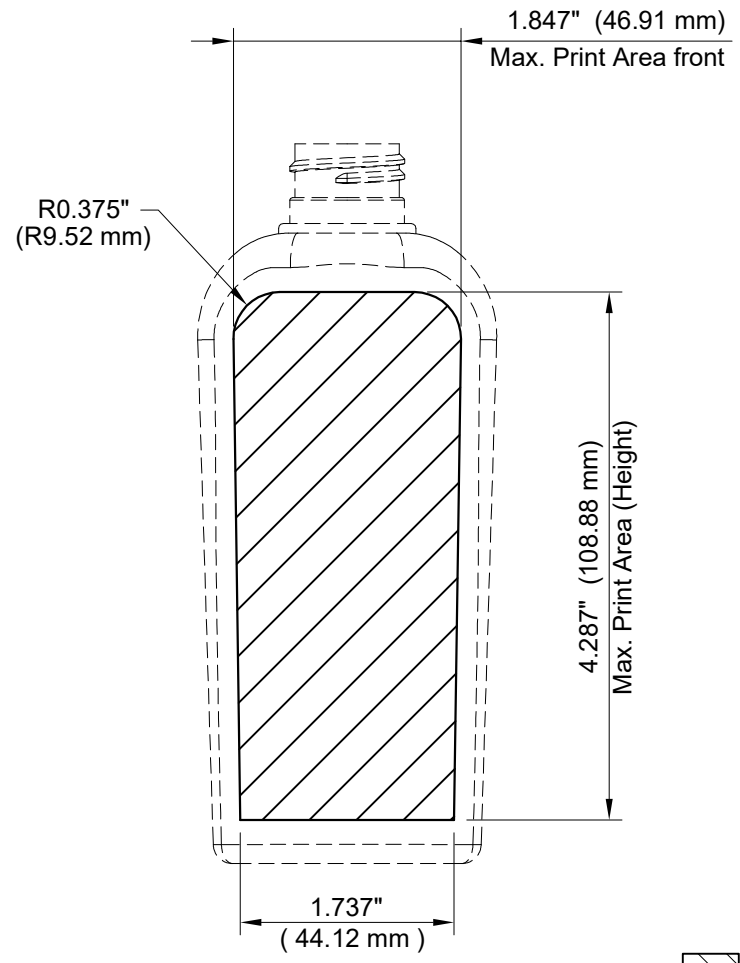


Ph. (909) 930-6100
info@plastirey.com
www.plastirey.com

No portion of this drawing may be reproduced without express written permission of Plastirey Containers. Specifications subject to change without notice.




Front View



Back View

 Art Work Area

6oz Straight Oval Bottle 24/410		
Part # : 06G24		
Dwg. #	Rev.	Ph. (909) 930-6100 info@plastirey.com www.plastirey.com
PLA-D-722	A	