

NECK DETAIL

Material : HDPE

Mfg. Process	EBM	Case Pack	260 Pcs
Height (OH)	7.500" (190.50 mm)	Case Dimension	23.8" x 15.6" x 24.4"
Diameter (OD)	2.238" (56.84 mm)	Case Weight	20.5 Lb (9.3 Kg)
Overflow	13.32 ± .37 Oz (394 ± 11 ml)	Pallet Pack	20 Boxes
Gram Weight	28.5 ± 2 gr	Pallet Dimension	41" x 49" x 102"
Neck Finish	24 / 410	Pallet Weight	439 Lb (199 Kg)
Max. Print Area (Height)	5.280" (134.11 mm)	Pallet / 53' TL	27 Pallets
Max. Print Area (Width)	6.781" (172.23 mm)	Freight Class	250

13oz 24/410
 Plastique Round
 Bottle

Part # : 13Q24

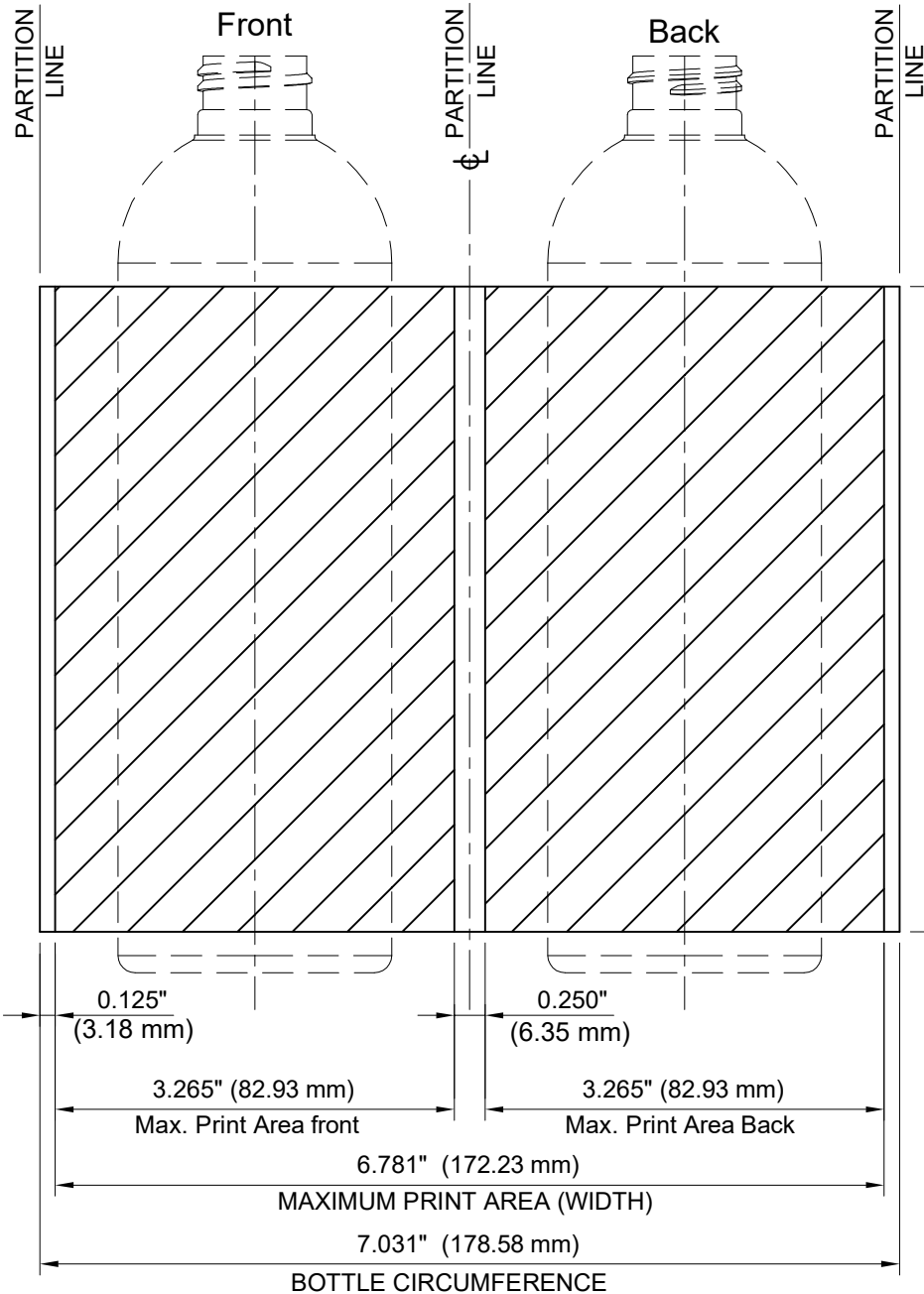
Dwg. # PLA-S-739

Rev. A





Ph. (909) 930-6100
 info@plastirey.com
 www.plastirey.com

No portion of this drawing may be reproduced without express written permission of Plastirey Containers. Specifications subject to change without notice.



5.280" (134.11 mm)
Max. Height Area (Print / Label)

 Art Work Area

13oz 24/410 Plastique Round Bottle		
Part # : 13Q24		
Dwg. # PLA-D-739	Rev. A	Ph. (909) 930-6100 info@plastirey.com www.plastirey.com